



SD-GTH03

CO₂ Temperature & Humidity Transmitter / Indoor type



SENSOR DATA

SD-GTH03

CO₂ Temperature & Humidity Transmitter / Indoor type



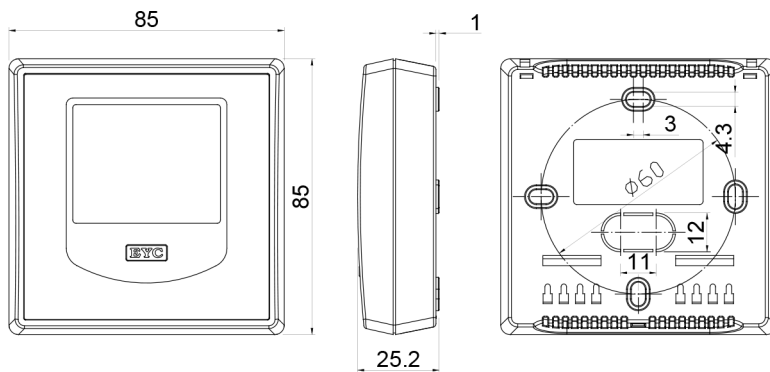
FEATURES

- LCD display
- Non-dispersive Infrared(NDIR)
- Analog output; RELAY/RS485
- Integrated CMOS temperature and humidity sensor.
- Compact 3-in-1 sensor: Carbon dioxide & Temperature & Humidity

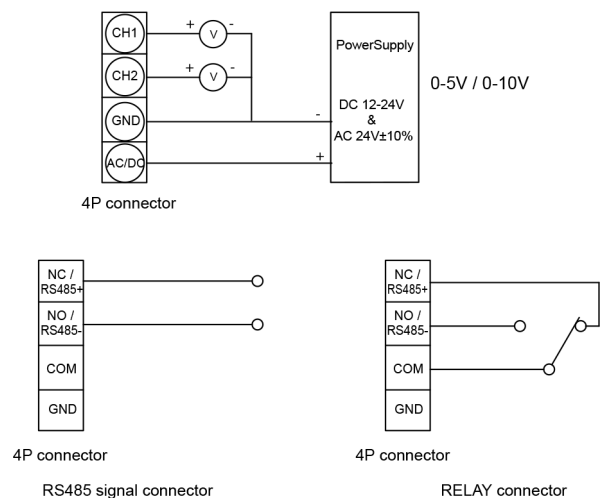
APPLICATIONS

- Environmental monitoring for various building
- Monitoring for HVAC process / air conditioning /environmental ventilation control.
- Humidity and CO2 monitoring for house and building.

Dimensions



Connections



Order codes

SD-GTH03 - **G** **T** **6** 1- **30** **2** **1**

OUT1 Function	OUT2 Function	Output	Temp. Range	CO ₂ range	Modbus
T: Temperature	T: Temperature	6: 0-10V	30: 0~50 °C	2: 2000 PPM	1: RS485
H: Humidity	H: Humidity	7: 0-5 V	38: 0~90 °C	5: 5000 PPM	R: Relay
G: CO2	G: CO2	N: None	40: 0~100 °C	0: Digital	
N: Digital	N: Digital		00: Digital		

Technical specifications

Sensor Type	
CO2	NDIR
Temperature & Humidity	CMOS
Measuring Range	
CO2	0~2000 ppm / 0~5000 ppm
Temperature	0~50°C
Humidity	0~100%
Suggestion Working Range	
CO2	0~5000 ppm
Temperature	5~50°C
Humidity	20~90%
Output	
Analog output	0~5V / 0~10V
ModBus	Relay or RS485
Signal Connection	3-wire
Linear accuracy (at+23°C : V=24VDC)	
Temperature	±0.5°C
Humidity	±5%RH(20~90%RH)
CO2	+/-50 ppm+3%
Load resistance(voltage output)	≥ 10KΩ
warm-up time	< 2 min.stable time 20 mins.
Response time(CO2)	t63(at +23°C)< 30 secs.
Time Sampling(CO2)	about 3secs.
Display type	LCD Module with back light, double line character (up array displays CO2 / down array displays temp. and humidity which can switch each other)
Display range	
CO2	four-digital numbers
Temp. & humidity	three-digital numbers and one decimal place
Height of character	17.25mm
Environment	
Media measured	air
Working temperature / humidity	5~50°C/ 0~95%(non-cond.)
Storage temperature	0~+60°C
Power supply	DC 12-24V & AC 24V±10%
Current consumption	DC : 70mA / AC : 110mA
Starting current	DC24V : 150mA; DC12V : 280mA; AC24V : 280mA
Electrical connection	signal & communication : 4P connector
Relay power	120VAC or 24VDC / 1A / SPDT
Installation	wall
Protection degree	IP20
Electric protection	■ Polarity protection ■ Short circuit
Certification	CE
Case / Weight	PC(PC-110) / 92g